

# ACE

# FX3000

## NextGen Hydraulic Crane Capacity : 30 tonnes

Rough terrain and rugged  
articulated new generation pick n move crane.

**ACE** INDIA'S NO. 1  
MOBILE & TOWER CRANE CO.

INDIA'S 70 MOST TRUSTED  
**POWER**  
BRANDS

- Front outriggers
- Heavy duty drive line
- Front mounted ergonomically designed Cabin
- Improved kinematics with low Center of Gravity
- Slotted boom
- Self Adjusting hook block
- Fail safe air brakes

*Nothing beats an **ACE***



# Specifications

# FX300

<b>LIFTING CAPACITY</b> (Free on wheels)	30 Tonnes
<b>ENGINE</b>	Ashok Leyland, 6 cylinder, water cooled diesel engine or equivalent
Rated Power	133 HP at 2300 RPM
<b>TRANSMISSION</b>	Heavy duty, Synchromesh with 8 forward and 2 reverse speeds and hi-low drive selector for creep speed
Axles	Front axle is rigidly mounted on the chassis and rear drive axle is mounted with 2 nos. leaf springs
Clutch	Heavy duty hydraulic clutch
Top Speed	35 KMPH on even metaled road (without load)
Gradeability	36% (unladen)
<b>HYDRAULIC SYSTEM</b>	<ul style="list-style-type: none"> <li>● Gear/Intra Vane type Main Pump</li> <li>● Five spools control valve with built in Reliefvalve (Heavy Duty)</li> <li>● Suction line has 100 mesh size Strainer while return line is fitted with 25 micron full flow filter.</li> <li>● Two double acting lift cylinders, two double acting steering cylinders, one acting extension cylinder and two double acting outrigger cylinders</li> </ul>
<b>STEERING</b>	Full power orbitrol with twin hydraulic double acting cylinders and 40° articulation on either side.
Turning Radius	8.2 Meters (approx)
<b>TYRES</b>	
Front	12.00 x 24 - 20 PR (4 Nos.)
Rear	17.50 x 25 - 20 PR (2 Nos.)
Wheel base	5100 mm
Wheel track	Front 1900 mm Rear 1770 mm
<b>BRAKES</b>	<ul style="list-style-type: none"> <li>● Dual Circuit Brakes</li> <li>● Fully pneumatic brakes on front and rear wheels</li> <li>● Parking brake is pneumatically operated, fail safe type.</li> </ul>
<b>ELECTRICAL SYSTEM</b>	24 V Negative earth
<b>TELESCOPIC BOOM</b>	Three part slotted boom with hydraulically operated synchronized extensions (12 mtrs. height)



<b>HOIST</b>	Winch is driven by hydraulic motor and fitted with rope tensioner. Hoisting is provided through self adjusting hook block employing 6 falls of 13 mm dia steel core anti twist rope.
Hoist Speed	50 Mtrs./Min. (Line speed)
<b>BOOM LUFFING</b>	
Range	-3° to + 66°
<b>SAFETY</b>	<ul style="list-style-type: none"> <li>● Hose failure protection</li> <li>● Audio over hoisting indication</li> <li>● Safety brakes on hoist</li> <li>● Self adjusting hook block</li> <li>● Front and rear wheel guards</li> </ul>
<b>STANDARD EQUIPMENT</b>	<ul style="list-style-type: none"> <li>● Front Outriggers</li> <li>● Front mounted fully enclosed wide view cabin</li> <li>● Rear View Camera</li> <li>● Front and rear work lights</li> <li>● Reflectors &amp; Rear View Mirrors</li> <li>● Tool Kit</li> <li>● Cabin Fan</li> <li>● Beacon rotating light</li> <li>● Wiper Motor</li> <li>● Gauges: <ul style="list-style-type: none"> <li>a) Water temperature</li> <li>b) Engine oil pressure</li> <li>c) Fuel Gauge</li> <li>d) RPM meter cum hour recorder</li> <li>e) Air Pressure Gauge</li> <li>f) Speedometer</li> </ul> </li> </ul>
<b>OPTIONAL EQUIPMENT</b>	<ul style="list-style-type: none"> <li>● Fly Jib (1.25 Tonnes Max Capacity)</li> <li>● Spark arrester</li> <li>● Safe load indicator/LMI</li> <li>● Over Hoist hydraulic cutoff</li> <li>● Fire Extinguisher</li> <li>● Drag winch</li> <li>● Front and side Proximity Sensors</li> <li>● Cabin Front Glass Protector</li> <li>● Helper/Slinger Seat</li> </ul>
<b>OPTIMIZED KINEMATICS AND LOW C.G.</b> FX 300 crane has been evolved/ designed keeping in mind operational safety parameters with low Center of Gravity (C.G.) providing best in class stability.	
<b>OPERATING WEIGHT</b>	
Front Axle	10100 Kgs.
Rear Axle	10200 Kgs.
Total Weight	20300 Kgs.



**1 INCREASED VISIBILITY**  
Bigger size front windscreen provided for better visibility and safe operation.



**2 EASY MAINTENANCE**  
The engine is easily accessible for daily maintenance checks including battery, air filter, oil level dipstick and cooling system.



**3 HYDRAULIC & FUEL TANK**  
Easy approach and adequate capacities



**4 OUT TRIGGERS**  
Front outriggers are provided as standard fitment for added safety during high lift operations.



**5 GROUND CLEARANCE**  
Ground clearance of 300mm for easier rough terrain operation.



**6 STEERING WHEEL & CONTROLS**  
Steering wheel is provided as a standard feature, which along with ergonomically placed operator console and instrument cluster ensures ease of operation.



**7 DRAG WINCH**  
Optionally Drag Winch is available for pulling & tugging applications



**8 SLOTTED BOOM**  
Facilitates easier load positioning and fitted with self adjusting hook block.

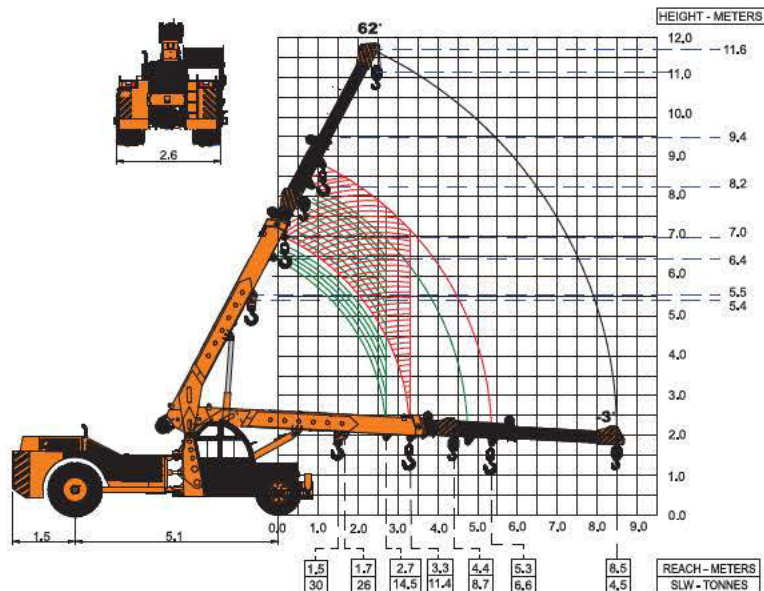


**9 ENGINE**  
Best in class Ashok Leyland 6 Cylinder engine having nationwide service support and spare parts availability.



**10 CABIN**  
Front mounted, ergonomically designed Cabin for better visibility and driveability.

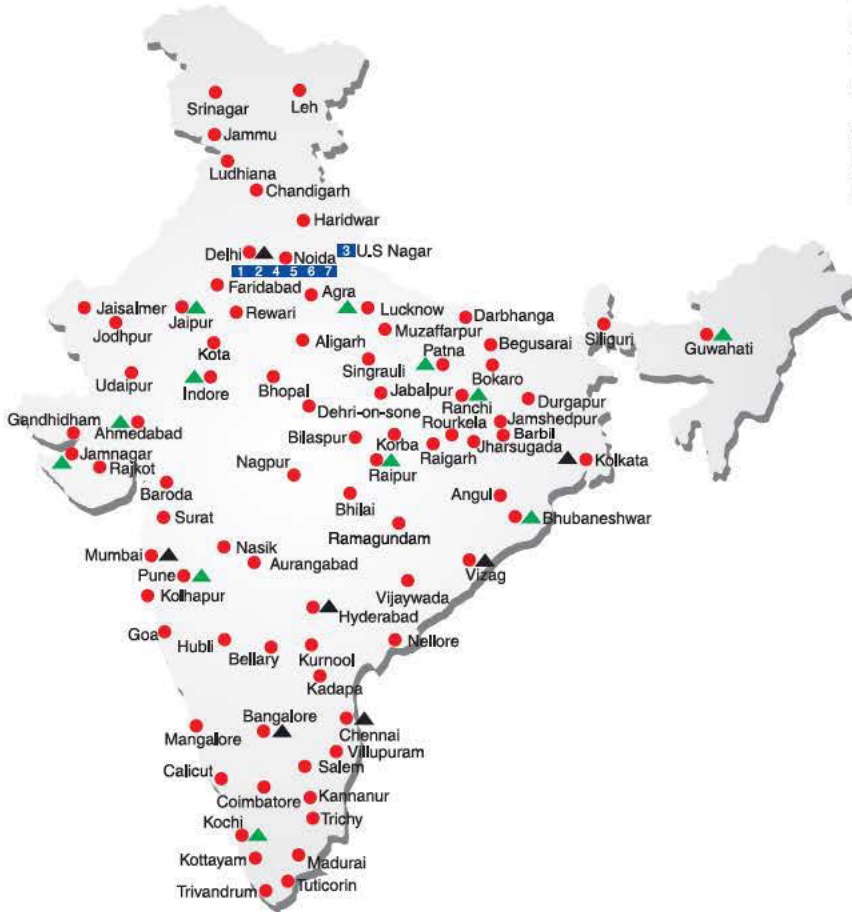
ACE FX300 Model Crane fitted with 3 part slotted boom (11.1 Mtrs. height)



ALL DIMENSIONS IN METERS -5%

**NOTE:** • All the above specifications are pertaining to FX300 model fitted with 11.6 Mtrs. boom. • Rated loads are on the basis of operation on firm and level surface. • Full rated lifting capacity available in articulated / steered condition.

# ALL INDIA NETWORK



## SPARE PARTS & SERVICE

ACE has all India Sales and Service network operating out of all the major cities. These outlets are fully equipped to provide genuine spare parts and services by company trained engineers. These outlets are further supported by company officials based at Delhi, Mumbai, Chennai, Kolkatta, Ahmedabad, Surat, Pune, Jaipur, Chandigarh, Ranchi, Raipur, Indore, Bhubneshwar, Lucknow, Jamnagar, Hyderabad, Bangalore, Guwahati, Patna, Vizag & Kochi.

## CUSTOMER CARE

TOLL FREE No

**1800 1800 004**

- WORKS
- ▲ REGIONAL OFFICES
- ▲ AREA OFFICES
- SALES AND SERVICE DEALERS



**Action Construction Equipment Ltd.**

Contact:



ACE reserves the right to alter any specifications without prior notice. Dimensions, weights & capacities mentioned herein are variable by ± 5%. Accessories if shown are not part of the Standard Equipment.

### MARKETING H.Q.

4th Floor, Pinnacle, Surajkund, NCR-121009  
Ph.: +91-129-4550000, Fax: +91-129-4550022  
E-mail: marketing@ace-cranes.com

### REGISTERED OFFICE

Dudhola Link Road, Dudhola, Palwal-121102, Haryana  
Ph.: +91-1275-280111, Fax: +91-1275-280133  
CIN : L74899HR1995PLC053860

### MUMBAI OFFICE

31, "Kalpataru Court", Chembur, Mumbai - 400074  
Ph.: +91-22-25206846, 25207070, Fax: +91-22-25207071  
E-mail: acemumbai@ace-cranes.com

### KOLKATA OFFICE

"Forma Towers" 84-A, Second Floor, AJC Bose Road,  
Kolkata - 700014. Ph.: +91-9038070630  
E-mail: acekolkata@ace-cranes.com

### CHENNAI OFFICE

1st Floor, "Alsa Regency", 165, Eldams Road,  
Alwar Pet, Chennai - 600018  
Ph.: +91-44-24314253, Fax: +91-44-24314252  
E-mail: acechennai@ace-cranes.com

