



ACE INDIA'S NO. 1
CRANE BRAND



ACE

NEO⁺ Diesel Forklifts

Capacity : 2.0-3.0 Tons

High Performance & Rugged Forklifts

ACE INDIA'S NO. 1
CRANE BRAND





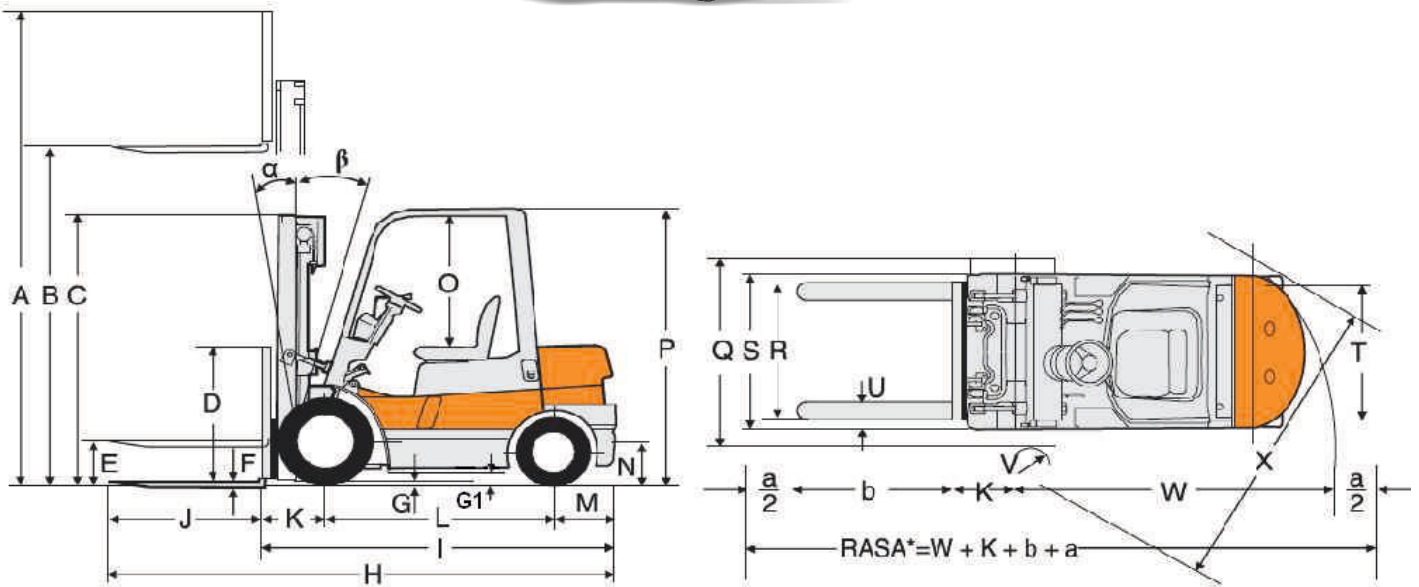
STANDARD SPECIFICATIONS

General		Manufacturer		ACE						
		Model		AF 20D		AF 30D				
Power		Diesel								
Load Capacity		Kg	2000		3000					
Load Center		mm	500							
Fork Size (LxWxT)		mm	1070x122x40		1070x125x45					
Transmission	Number of Speeds - Fwd / Rev		1/1 (Automatic) or 2 / 2 (Manual Shift)		1/1 (Automatic) or 2 / 2 (Manual Shift)					
Service Weight		Kg	3400		4410					
Weight Distribution (SD/DD)	With Load	Front	Kg	4765		6520				
		Rear	Kg	635		890				
	Without Load	Front	Kg	1555		1780				
		Rear	Kg	1845		2630				
Wheels & Tyres	Tyres	Drive (Single/Dual),		Pneumatic / Solid (Optional)						
	Tyres	No of Wheels (Front/Rear)		2x2 / 4x2 (Optional)						
	Tyres Size	Front		7.00-12-12PR		28x9-15-12PR				
Rear		6.00-9-10PR		6.50-10-10PR						
Performance	Speed (s)	Travel (Fwd / Rev)	With Load	Km/h	17.5		18.5			
			Without Load	Km/h	20		20			
		Lifting	With Load	mm/s	400		300			
			Without Load	mm/s	500		375			
	Lowering	With Load	mm/s	550		560				
		Without Load	mm/s	500		350				
	Gradeability	(Laden/Unladen)		% (Deg)	19.5/20 (11.03/11.31)		18.5/19.5 (10.48/11.03)			
Brake (s)	Service		Hydraulic-Foot Pedal							
	Parking		Mechanical-Hand Lever							
Battery	Voltage / Capacity		V / Ah	12/70						
Drive	Engine	Make/ Model		Simpson						
		Rated Horsepower		bhp/rpm	36 kW (49.5 hp) @ 2200 rpm					
		Rated Torque		Nm @ rpm	215 Nm@1200 rpm					
		Emission Norms		CEV BS V						
		Number of Cylinders		4						
		Displacement		Ltrs.	3.45					
Others	Fuel Tank Capacity		Ltrs.	40						
	Operating Pressure for Attachment		Kg / cm ²	175						
Ambient Temp. Without Cold Start Kit		C°	-5° to 55°							

MAST DETAILS

Mast type	Max Fork Height (mm)	Load Capacity @ MFH (Kgs)		Overall Height Lowered (mm)		Overall Height Raised (mm)		Free Lift (mm)		Tilt Angle (α/β)	Weight of Forklift (Kgs)			
		AF 20D	AF 30D	AF 20D	AF 30D	AF 20D	AF 30D	AF 20D	AF 30D		AF 20D (SD)	AF 20D (DD)	AF 30D (SD)	AF 30D (DD)
Double Mast (Std.)	3000	2000	3000	2035	2065	3980	4235	140	140	6° / 12°	3735	3855	4510	4695
Double Mast (Fullfree) *	3000	2000	3000	2035	2080	3980	4235	1590	1590	6° / 12°	3540	3660	4560	4745
Double Mast (Std.)	3600	2000	3000	2275	2290	4600	4835	140	140	6° / 12°	3645	3765	4610	4795
Triple Mast (Fullfree) *	4500	2000	3000	2060	2095	5480	5735	1590	1590	6° / 6°	3945	4065	4735	4920
Triple Mast (Fullfree)	6000	1000/1600**	1650/2050**	2585	2600	6980	7235	1940	1940	3° / 3°	4035	4155	4945	5130
Triple Mast (Fullfree)	7200	600/1150**	1200/1650**	3025	3040	8180	8435	2525	2525	3° / 3°	5080	5200	5115	5300

Suitable for container stuffing
 ** With front dual wheels
 # SD - Single Drive
 DD - Dual Drive



STANDARD DIMENSIONS

Model	AF20D	AF30D
	Auto/Mech	Auto/Mech
A. Overall height fork raised (with load backrest)	3080	4235
B. Max. fork height (Standard Model)	3000	
C. Overall height fork lowered	2035	2065
D. Backrest height (from upper face of forks)	980	1235
E. Free lift	140	140
F. Fork thickness	40	45
G. Min. clearance (bottom of mast)	130	135
G1. Min. clearance (bottom of chassis)	150	150
H. Overall length (with forks)	3690	3860
I. Overall length (without forks)	2620	2790
J. Fork length	1070	1070
K. Front overhang	470	470
L. Wheel base	1640	1700
M. Rear overhang	510	620
N. Coupler height	300	375
O. Overhead guard clearance (from face of seat)	970	985
P. Overall height (overhead guard)	2160	2145
Q. Overall width (SD/DD)	1215/1670	1220/1680
R. Lateral fork adjustment (SD/DD)	250~1020/ 250~1420	250~1060/ 250~1460
S. Trade (front) (SD/DD)	980/1420	1000/1460
T. Trade (Rear)	985	990
U. Fork width	122	125
V. Inside turning	500	550
W. Inside turning Radius	2210/2650	2635/2840
X. Min. intersecting aisle	1950	2120
Y. Tilting angles (α - β)	$6^\circ \sim 12^\circ$	

* All dimensions are in mm.

* RASA = Right Angle Stacking Aisle, a = Operator Clearance, b= Load Length

Note :

1. ACE reserves the right to alter any specifications without prior notice.
2. Dimensions, Weights & Capacities mentioned herein are variable by $\pm 5\%$.
3. Accessories, if shown are not part of the standard equipment.



STANDARD EQUIPMENT

- Wide view mast
- Load backrest
- Standard forks
- Power steering
- Retaining rollers
- Overhead guard
- Standard seat (Adjustable)
- Draw bar pin
- Air cleaner
- Parking brake lever
- Lift, tilt levers
- Dipstick for TC oil
- Overhead air intake
- Tilt adjustable steering wheel
- Turn indicator lights
- Flow Control Valve

- Hour meter
- Water temperature indicator
- Fuel meter
- Engine oil pressure warning indicator
- Electric charge indicator
- LED head lights
- LED rear combination lights
- Rear view mirror
- Reverse horn
- Electric horn
- Neutral safety switch (TC)
- Rubber floor mat
- Tool kit
- Inching control pedal (in automatic transmission)

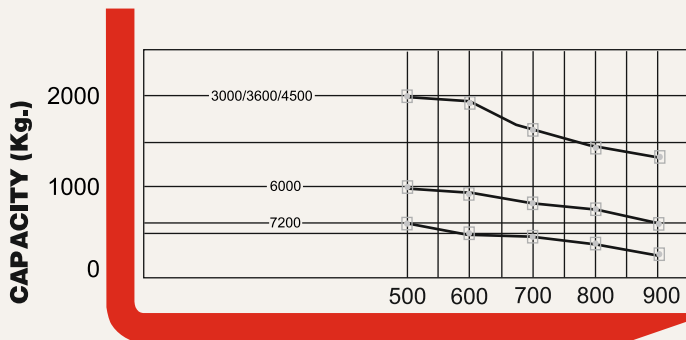
OPTIONAL ACCESSORIES

- Long Forks
- Mast options (Refer mast details)
- Front dual wheels (Dual drive)
- Solid/Non marking tyre
- Fire extinguisher
- All weather steel cabin
- Mechanical transmission
- Blue spot light
- Red safe zone light
- Operator presence system
- Safe load Indicator
- Reverse Camera
- Rear Proximity Sensor
- Zone II Modification

OPTIONAL ATTACHMENTS

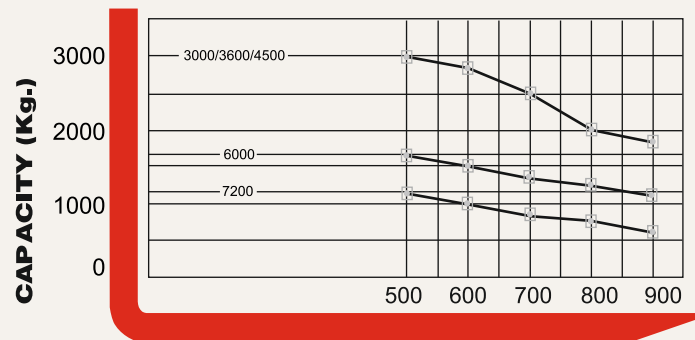
- Bale clamp
- Crane attachment
- Drum(s) handling attachment
- Fork extensions
- Fork rotator
- Drop bottom dumper attachment
- Furnace stoker
- Furnace kit
- Side Shifter
- Side shifter cum fork positioner
- Paper roll clamp
- Ram attachment
- Shovel attachment
- Brick block clamp
- Load stabilizer

LOAD CHART



LOAD CENTER (mm)

AF20D (Single Drive)



LOAD CENTER (mm)

AF30D (Single Drive)

Attachments



