



**ACE** INDIA'S NO. 1  
CRANE BRAND



# ACE

## NEO<sup>+</sup>

### Diesel Forklifts

**Capacity : 5 Tons**

High Performance & rugged  
Diesel Forklift Trucks.





## STANDARD SPECIFICATIONS

		MANUFACTURER			ACE		
<b>General</b>	Model				AF 50D		
	Power				DIESEL		
	Load Capacity				Kg	5000	
	Load Center				mm	600	
	Fork Lifting Height (Std.)				mm	3000	
	Fork Size (LxWxT)				mm	1220x150x50	
	Wheelbase				mm	2210	
		Transmission	Number of Speeds - Fwd / Rev		2/1 (AUTOMATIC)		
<b>Weight</b>	Total Weight				Kg	6990	
	Weight Distribution (Single Drive)	With load	Front	Kg	7860		
			Rear	Kg	4130		
		Without load	Front	Kg	2860		
			Rear	Kg	4130		
<b>Wheels &amp; Tyres</b>	Tyres		Front/Rear		Pneumatic / Solid (Optional)		
	Wheel(s)		Front/Rear		2x2 / 4x2 (OPTIONAL)		
	Tyre Size	Front				3.00-15	
		Rear				7.00-12	
<b>Performance</b>	Speed	Travel (Fwd/Rev)	With load	Km/h	17		
			Without load	Km/h	18		
		Lifting	With load	mm/s	368		
			Without load	mm/s	391		
		Lowering	With load	mm/s	381		
			Without load	mm/s	388		
	Gradeability	(Laden/Unladen)		%(Deg)	18%(10.2°)		
	Brake (S)	Service				Hydraulic-Foot Pedal	
Parking				Mechanical-Hand Lever			
<b>Drive</b>	Battery	Voltage/Capacity		V/Ah	12/130		
	Engine	Make				Tata	
		Rated Horsepower		Kw (hp) @rpm	55kW (74 hp)@2200 rpm		
		Rated Torque		Nm@rpm	345@1300-1500		
		Emission Norms		BS-V CEV			
		Number of Cylinder		Nos.	4		
		Displacement		Ltrs.	3.7		
		Fuel tank Capacity		Ltrs.	75		
<b>Others</b>	Operating pressure for Attachment			Kg/cm <sup>2</sup>	190		
	Ambient Working Temp. (Without Cold Start Kit)			C°	-5° to 55°		

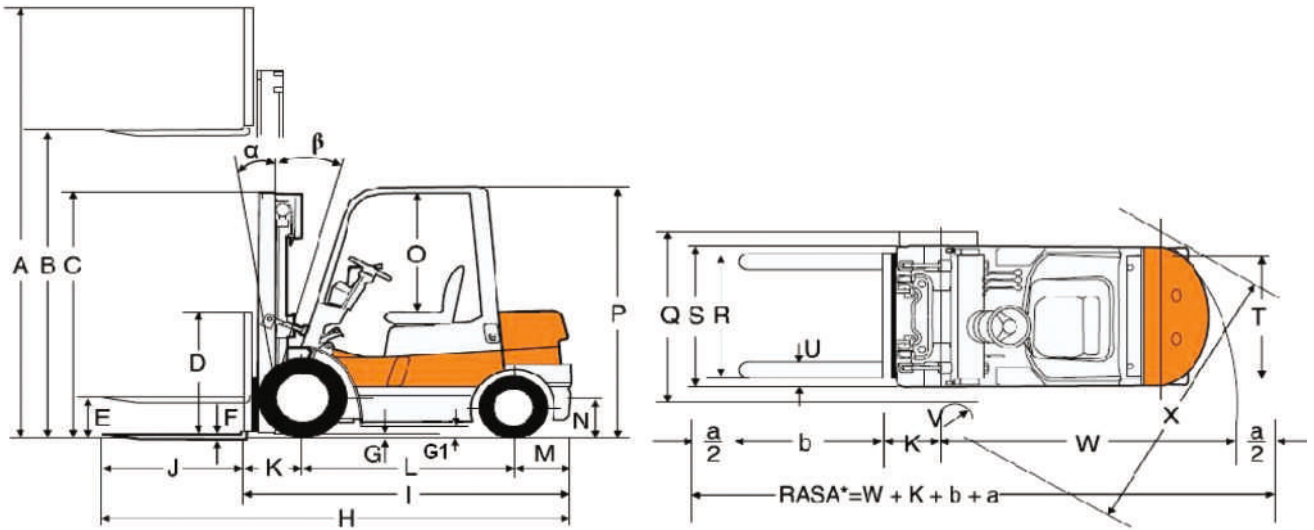
## MAST DETAILS

Mast type	Max Fork Height (mm)	Load Capacity @ MFH (Kgs)	Overall Height Lowered (mm)	Overall Height Raised with LBR (mm)	FREELIFT (Without Load Backrest)	Tilt Angle (α/β)	Weight of Forklift (Kgs)	
							With SD	With DD
Double Mast (STD.)	3000	5000	2210	4585	150	6° / 12°	7110	7525
Double Mast (FFL)*	3000	5000	2210	4585	1500	6° / 12°	7220	7635
Double Mast (STD.)	3600	5000	2525	5185	150	6° / 12°	7291	7706
Triple Mast (FFL)*	4500	4200/4500 # (SD/DD)	2225	6085	1550	6° / 6°	7375	7790
Triple Mast (FFL)	6000	2500/4000 # (SD/DD)	2920	7585	2040	3° / 3°	8235	8650

\* Suitable for container stuffing

# (SD/DD) – Single Drive/ Dual Drive (2 tyres / 4 tyres - on drive axle)

\*\* FFL – Full free lift



## STANDARD DIMENSIONS

Model	AF50D
	<b>Automatic</b>
A. Overall height fork raised (with load backrest)	4585
B. Max. fork height (Standard Model)	3000
C. Overall height fork lowered	2210
D. Backrest height (from upper face of forks)	1240
E. Free lift	150
F. Fork thickness	50
G. Min. clearance (bottom of mast)	165
G1. Min. clearance (bottom of chassis)	175
H. Overall length (with forks)	4420
I. Overall length (without forks)	3200
J. Fork length	1220
K. Front overhang	550
L. Wheel base	2210
M. Rear overhang	690
N. Coupler height	360
P. Overall height (overhead guard)	2255
Q. Overall width(SD/DD)	1480/2085
R. Lateral fork adjustment (SD/DD)	300~1380/300~2005
S. Trade (front) (SD/DD)	1180/1810
T. Trade (Rear)	1200
U. Fork width	150
V. Inside turning	700/1000
W. Outside turning Radius (SD/DD)	2650/3100
X. Min. intersecting aisle	2960
Y. Tilting Angles ( $\alpha/\beta$ )	6° - 12°

All Dimensions are in mm.

RASA = Right Angle Stacking Aisle, a = Operator Clearance, b= Load Length

**Note :**

1. ACE reserves the right to alter any specifications without prior notice.
2. Dimensions, Weights & Capacities mentioned herein are variable by  $\pm 5\%$ .
3. Accessories, if shown, are not part of the standard equipment.



### STANDARD EQUIPMENT

- Wide view mast
- Standard forks
- Power steering
- Retaining rollers
- Overhead guard
- Standard seat (Adjustable)
- Drawbar pin
- Air cleaner
- Parking brake lever
- Lift, tilt levers
- Dipstick for TC oil
- Return hydraulic filter
- TC oil filter
- Flow control valve
- Overhead air intake
- Radiator reservoir
- Tilt adjustable steering wheel
- Turn indicator Lights
- Hour meter
- Water temperature meter
- Fuel meter
- Engine oil pressure warning indicator
- Electric charge indicator
- LED head lights
- LED Rear combination lights
- Rear view mirror
- Reverse Buzzer
- Electric horn
- Neutral safety switch (TC)
- Rubber floor mat
- Tool kit

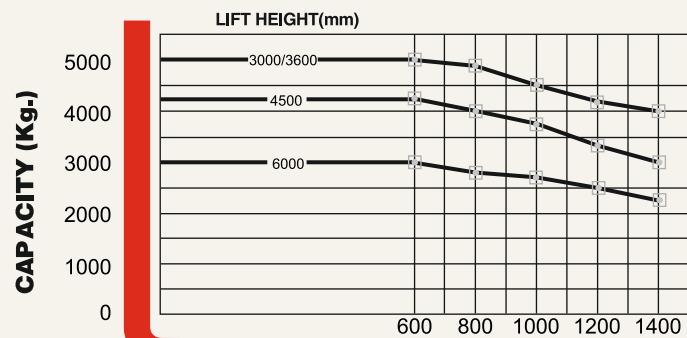
### OPTIONAL ACCESSORIES

- Long Forks
- Mast options (Refer mast details)
- Front dual wheels (Dual drive)
- Solid/Non marking tyre
- Fire extinguisher
- All weather steel cabin
- Blue spot light
- Red safe zone light
- Operator presence system
- Safeload indicator
- Reverse camera
- Rear proximity sensor

### OPTIONAL ATTACHMENTS

- Fork extensions
- Bale clamp
- Crane attachment
- Drum(s) handling attachment
- Fork rotator
- Drop bottom dumper attachment
- Furnace stoker
- Furnace kit
- Side shifter
- Side shifter cum fork positioner
- Paper roll clamp
- Ram attachment
- Shovel attachment
- Brick block clamp
- Load stabilizer

### LOAD CHART



LOAD CENTER (mm)

AF50D (SINGLE DRIVE)

## Attachments





# COMPLETE INTRALOGISTICS SOLUTION



## Electric Forklifts



1.5T - 3.0T



4.5T - 6.0T



1.5T - 3.0T



4.0T - 10T



12T - 35T

## LPG Forklifts



3.0T - 5.0T

# BUILT TO PERFORM

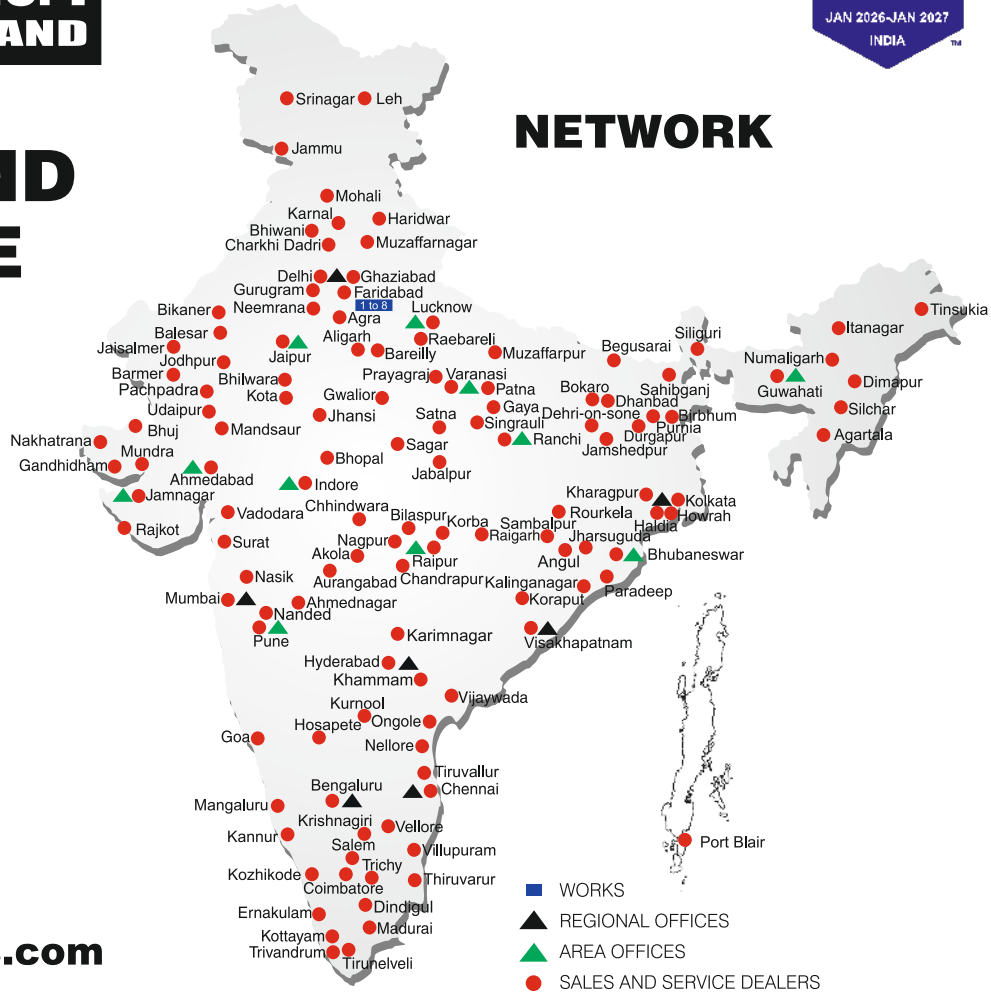


**ACE** INDIA'S NO. 1 CRANE BRAND

Great Place To Work<sup>®</sup>  
Certified  
JAN 2026-JAN 2027  
INDIA

**RELIABLE AND DEPENDABLE EFFICIENCY**

## NETWORK



**Toll Free Help Line**  
**1800 1800 004**

[www.ace-cranes.com](http://www.ace-cranes.com)

### MARKETING H.Q.

4th Floor, Pinnacle  
Surajkund, NCR-121009  
Ph.: +91-129-4550000  
E-mail: [marketing@ace-cranes.com](mailto:marketing@ace-cranes.com)  
[forklifts@ace-cranes.com](mailto:forklifts@ace-cranes.com)

### REGISTERED OFFICE

Dudhola Link Road, Dudhola  
Palwal-121102, Haryana  
Ph.: +91-1275-280111  
CIN : L74899HR1995PLC053860

### MUMBAI OFFICE

31, "Kalpataru Court"  
Chembur, Mumbai - 400074  
Ph.: +91-22-25206846, 25207070  
E-mail: [acemumbai@ace-cranes.com](mailto:acemumbai@ace-cranes.com)  
[forkliftswest@ace-cranes.com](mailto:forkliftswest@ace-cranes.com)

### KOLKATA OFFICE

84A, AJC Bose Road, Fomra Tower  
2nd Floor, Kolkata-700014  
Ph.: +91-9038070630  
E-mail: [acekolkata@ace-cranes.com](mailto:acekolkata@ace-cranes.com)  
[forkliftseast@ace-cranes.com](mailto:forkliftseast@ace-cranes.com)

### CHENNAI OFFICE

1st Floor, "Alsa Regency", 165  
Eldams Road, Alwar Pet  
Chennai - 600018  
Ph.: +91-44-24314253  
E-mail: [acechennai@ace-cranes.com](mailto:acechennai@ace-cranes.com)  
[forkliftssouth@ace-cranes.com](mailto:forkliftssouth@ace-cranes.com)

**HERE TO SERVE YOU.**



AF50D



Product Range



ACE Live



Action Construction Equipment Ltd.

Follow us on



ACE reserves the right to alter any specifications without prior notice. Dimensions, weights & capacities mentioned herein are variable by ± 5%. Accessories if shown are not part of the Standard Equipment.