

ACE

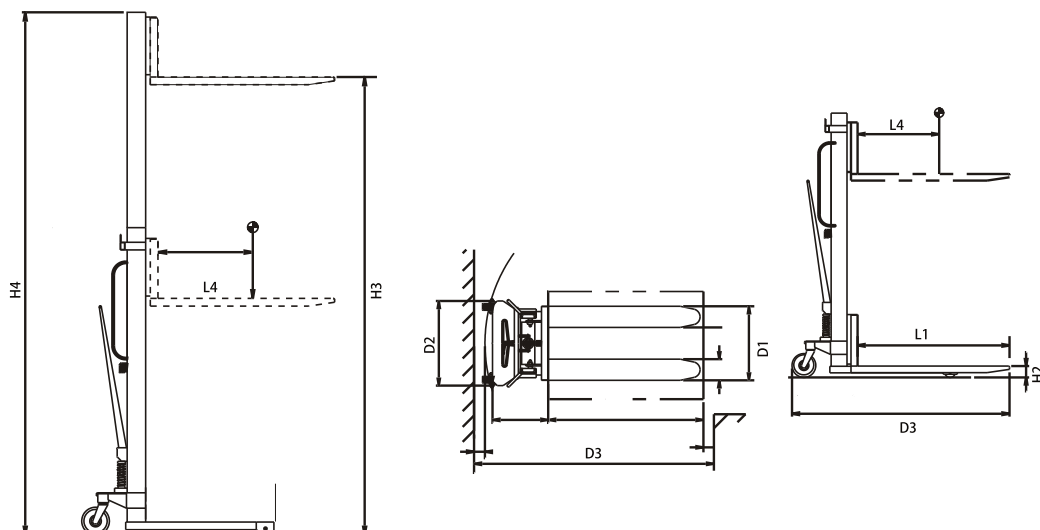
Manual Stacker

Capacity : 1T

High Performance & rugged
Manual Stacker

ACE INDIA'S NO. 1
CRANE BRAND





Technical Specifications

Model	Unit		MS10
Capacity	Kgs	Q	1000
Lift Height	mm	H3	1600
Lowered Fork Height	mm	H2	90
Load Center	mm	L4	500
Raised Overall mast Height	mm	H4	2040
Size of Steering wheel	mm		ϕ180x50
Size of Loading wheel	mm		ϕ 80x60
Fork Outside Distance	mm	D1	200-550
Fork length	mm	L1	1100
Overall Width	mm	D2	780
Overall Length	mm	D3	1390
Wheel Base	mm		1100
Wheel Type (Drive & Load)			Nylon with brake
Fuel Tank	Ltr.		1.6
Hand Control Lever			Yes
Service Weight	Kgs		150

Features :

- Handle with return spring.
- Brake, Protection wheel cap & Protection net for safety.
- High Strength reliable Mast.
- Ergonomic design hydraulic foot pump to help raise loads and easy hand lowering control.
- Strong Supporting legs.
- Easy to Operate.



MARKETING H.Q.

Action Construction Equipment Ltd.

4th Floor, Pinnacle, Surajkund, NCR-121009

Ph. : +91-129-4550000, Fax : +91-129-4550022

E-mail: whe@ace-cranes.com, forklifts@ace-cranes.com

ACE