



ACE F270

Nextgen Hydraulic Crane Capacity : 27 tonnes

Rough terrain and rugged, 4x4 articulated NextGen pick 'n' move crane



- CEV stage IV engine
- Heavy duty drive line
- Improved kinematics
- Better Center of gravity
- Slotted boom
- Self adjusting hook block
- Fail safe air brakes
- Better creep speed



4x4

Specifications

F-270

LIFTING CAPACITY	27 Tonnes
ENGINE	Ashok leyland (CEV BSIV), 4 cylinder water cooled diesel engine, model H4C413022 with Electronic Control Unit (ECU)
Rated Power	130 HP (95 kw) at 2200 RPM
TRANSMISSION	Heavy Duty Synchromesh with 12 Forward and 2 reverse speeds. Auxiliary Gear Box with 2WD-High / 4WD-Low selector.
Axles	Front axle is rigidly mounted on the chassis. Rear drive axle is mounted with 2 nos. heavy duty leaf springs.
Drive	4 Wheel drive.
Clutch	Heavy duty, single, dry friction type hydraulic clutch.
Creep Speed	1.3 KMPH
Top Speed	39 KMPH on even metallated Road (without load)
Gradeability	40 % (unladen)
BRAKES	<ul style="list-style-type: none"> • Dual Circuit Brakes • Fully Pneumatic brakes on front and rear wheels. • Parking brake is pneumatically operated, fail safe type
STEERING	Full power orbitrol with twin hydraulic double acting cylinders and 40° articulation on either side
Turning Radius	8.25 Mtrs. on outer rear wheels.
TELESCOPIC BOOM	4 part slotted boom, 2 part hydraulically operated & synchronized and 4th part power extended
HOIST	3.9 Tonnes Line Pull Winch is driven by hydraulic motor and fitted with rope tensioner. Hoisting is provided through self adjusting hook block employing 6 falls of 13mm dia. Rope.
Hoist Speed	35 Mtrs./Min (Line Speed)
ELECTRICAL SYSTEM	12v, Negative Earth (100 AH Battery)
TYRES	
Front	12.00x24-18 PR (4 NOS.)
Rear	12.00x24-18 PR (4 NOS.)
Wheel Base	4950 mm
Wheel Track	1980 mm

HYDRAULIC SYSTEM	<ul style="list-style-type: none"> • Gear/Intra Vane type main pump • Five spools control valve with built in Relief Valve (Heavy duty) • Suction line has 100 mesh size strainer while return line is fitted with 25 micron filter. • Two double acting lift cylinders, two double acting steering cylinders and one double acting extension cylinder.
SAFETY	<ul style="list-style-type: none"> • Hose failure protection • Audio over hoisting Indication • Safety brakes on hoist • Self-adjusting hook block • Front and rear wheel guards
STANDARD EQUIPMENT	<ul style="list-style-type: none"> • ROPS fully enclosed wide view cabin • Front work lights • Reflectors and rear view mirror • Tool kit • Cabin fan • Wiper motor • Instrument Cluster :- <ol style="list-style-type: none"> a) Fuel level gauge b) Air pressure gauge c) Oil pressure gauge d) Coolant temp e) Engine RPM f) Speedometer g) Odo meter h) Engine Hour Recorder i) Fault Detector Codes (P-Codes) • Rear view camera • Front Outriggers • Beacon Rotating Light
OPTIONAL EQUIPMENT	<ul style="list-style-type: none"> • Fly jib (1.25 Tonnes Max. Capacity) • Safe load indicator/ LMI • Over Hoist hydraulic cutoff • Fire extinguisher • Cabin Front Glass Protector • Helper / Slinger Seat • Drag Winch • Spark arrestor • Front & Side Proximity Sensor • 3 Part Slotted Boom 11.5 mtrs. • Man Basket Attachment • Fork Attachment • Ram Attachment
OPERATING WEIGHT	22000 Kgs.

ACE

4x4



ATS
After treatment system for Emission Control



OUTRIGGERS
Front Outriggers for added safety during high lift operations.



GROUND CLEARANCE
Ground clearance of 350mm for easier rough terrain operation.



ENGINE
Ashok leyland (CEV BSIV), 4 cylinder water cooled diesel engine, model H4C413022 with Electronic Control Unit (ECU)



ELECTRONIC CLUSTER
Digital Electronic Cluster with advanced features.



ROPS CABIN
Front mounted, ergonomically designed Cabin for better visibility and driveability.



ECU
Electronic control unit for better fuel economy and diagnostic trouble shooting

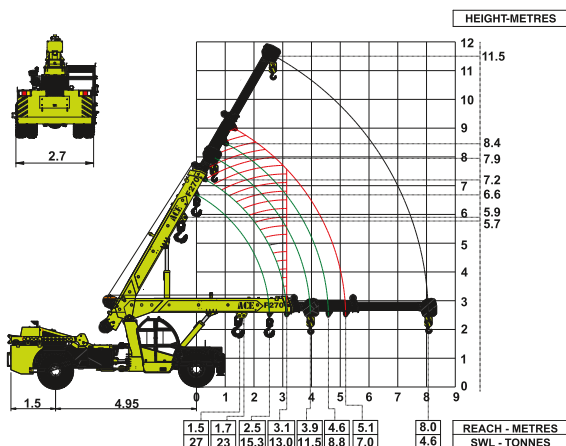


STEERING WHEEL & CONROLS
Ergonomically placed operator console and instrument cluster ensures ease of operation.



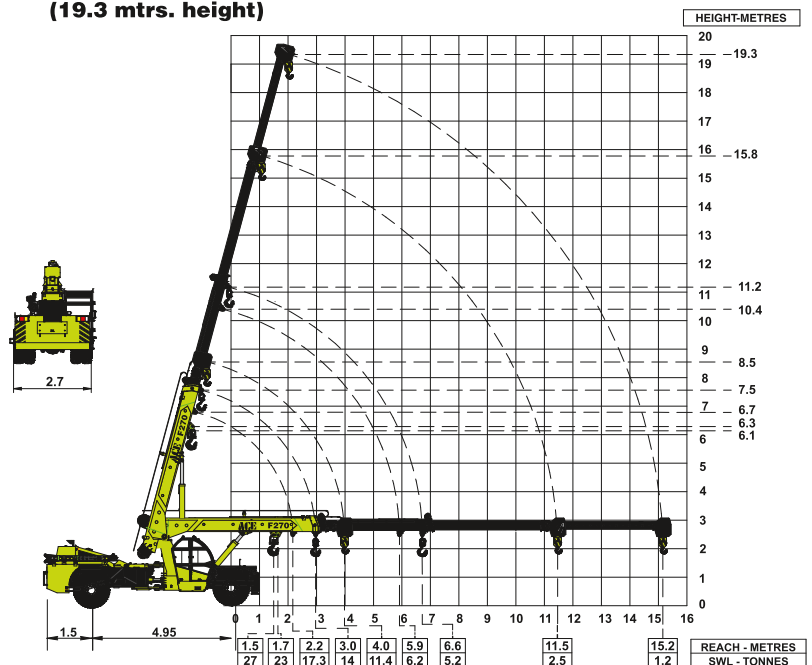
OPTIMIZED KINEMATICS AND LOW C.G.
F270 crane has been designed for operational safety with low Center of Gravity (C.G.) providing best in class stability

ACE F270 Model Crane fitted with 3 part slotted boom (11.5 mtrs. height)



ALL DIMENSIONS IN METERS ±5%

ACE F270 Model Crane fitted with 3 part slotted boom + 1 Manual (19.3 mtrs. height)



ALL DIMENSIONS IN METERS ±5%

NOTE: • Rated loads are on the basis of operation on firm and level surface.
• Full rated lifting capacity available in articulated / steered condition.

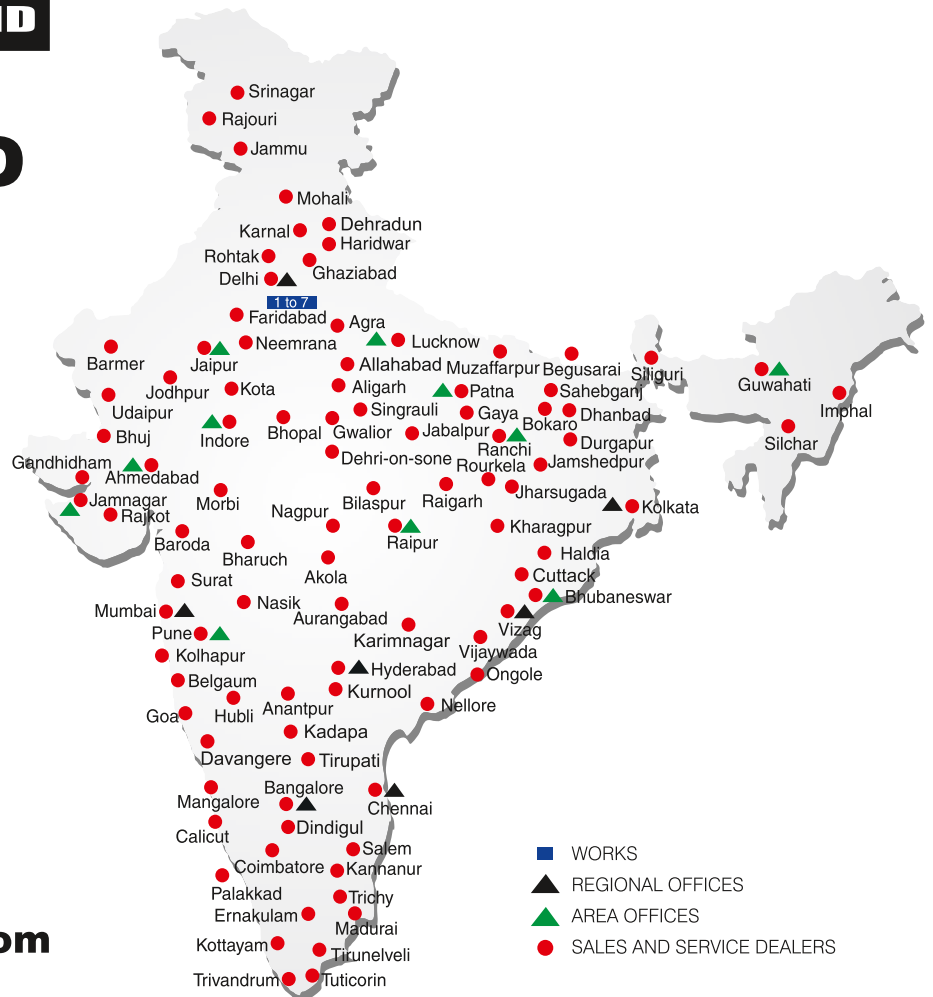
BUILT TO PERFORM



ACE INDIA'S NO. 1
CRANE BRAND

NETWORK

**RELIABLE AND
DEPENDABLE
EFFICIENCY**



**Toll Free Help Line
1800 1800 004**

www.ace-cranes.com

MARKETING H.Q.

4th Floor, Pinnacle
Surajkund, NCR-121009
Ph.: +91-129-4550000
Fax: +91-129-4550022
E-mail: marketing@ace-cranes.com

REGISTERED OFFICE

Dudhola Link Road, Dudhola
Palwal-121102, Haryana
Ph.: +91-1275-280111
Fax: +91-1275-280133
CIN : L74899HR1995PLC053860

MUMBAI OFFICE

31, "Kalpataru Court"
Chembur, Mumbai - 400074
Ph.: +91-22-25206846, 25207070
Fax: +91-22-25207071
E-mail: acemumbai@ace-cranes.com

KOLKATA OFFICE

"Forma Towers" 84-A, Second Floor
AJC Bose Road, Kolkata - 700014
Ph.: +91-9038070630
E-mail: acekolkata@ace-cranes.com

CHENNAI OFFICE

1st Floor, "Alsa Regency", 165
Eldams Road, Alwar Pet
Chennai - 600018
Ph.: +91-44-24314253
Fax: +91-44-24314252
E-mail: acechennai@ace-cranes.com

HERE TO SERVE YOU.

SPARE PARTS & SERVICE

ACE has all India Sales and Service network operating out of all the major cities. These outlets are fully equipped to provide genuine spare parts and services by company trained engineers. These outlets are further supported by company officials based at Delhi, Mumbai, Chennai, Kolkata, Ahmedabad, Surat, Pune, Jaipur, Chandigarh, Ranchi, Raipur, Indore, Bhubaneswar, Lucknow, Jamnagar, Hyderabad, Bangalore, Guwahati, Patna, Vizag & Kochi.

ACE

Action Construction Equipment Ltd.

Contact:



ACE reserves the right to alter any specifications without prior notice. Dimensions, weights & capacities mentioned herein are variable by ± 5%. Accessories if shown are not part of the Standard Equipment.